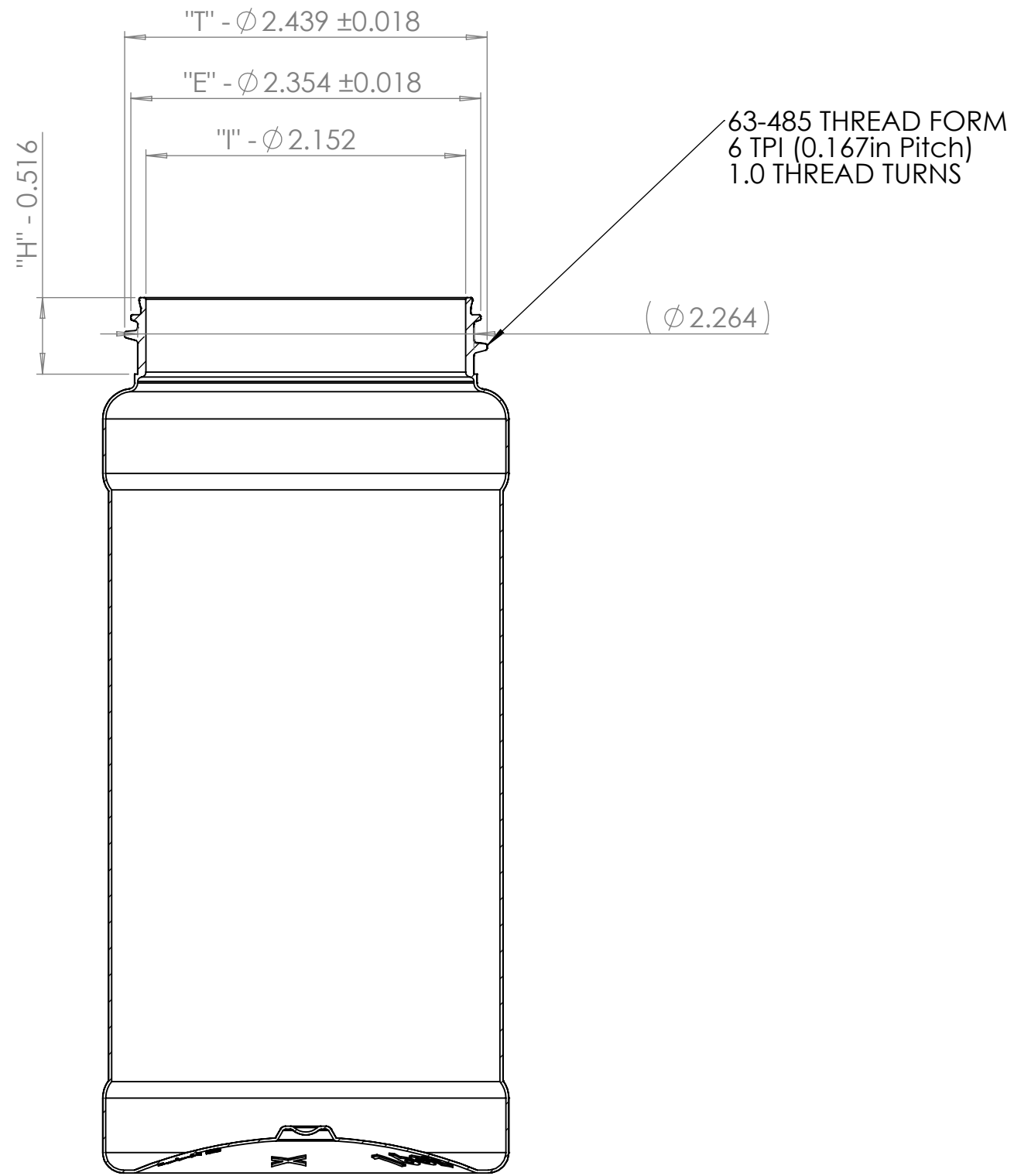
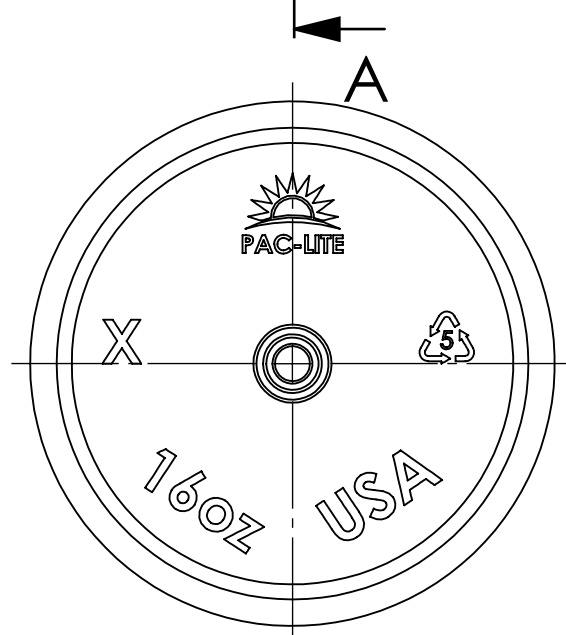
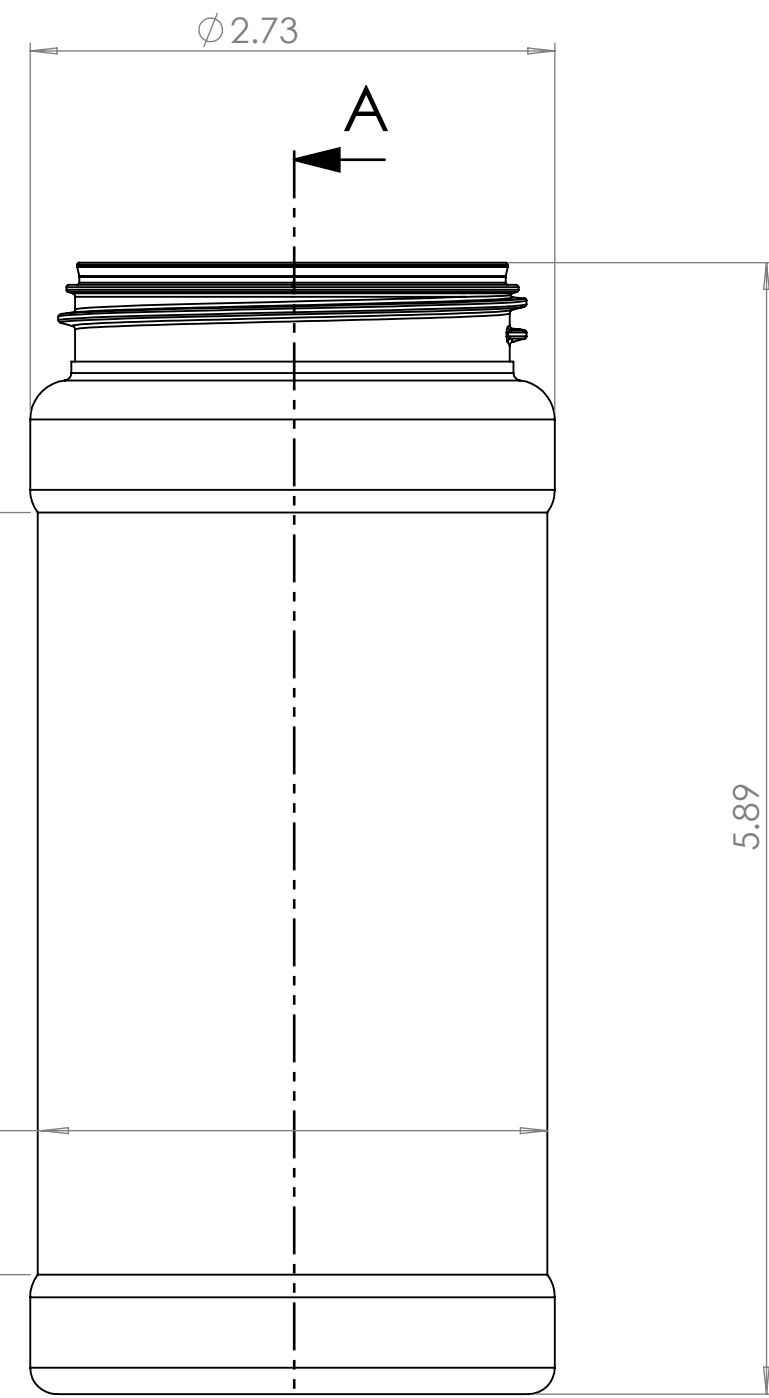
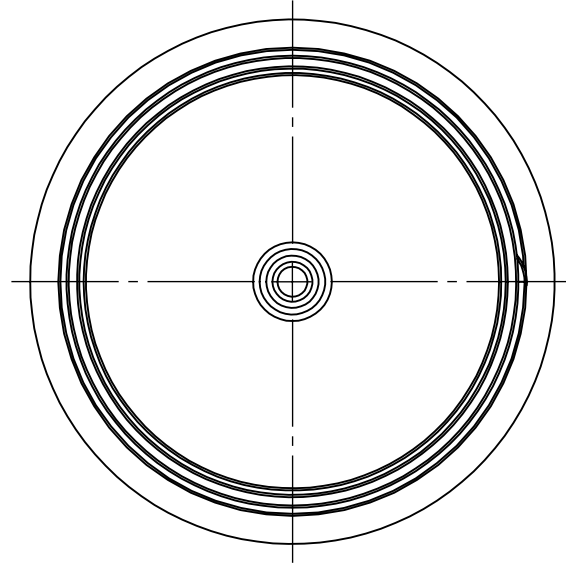
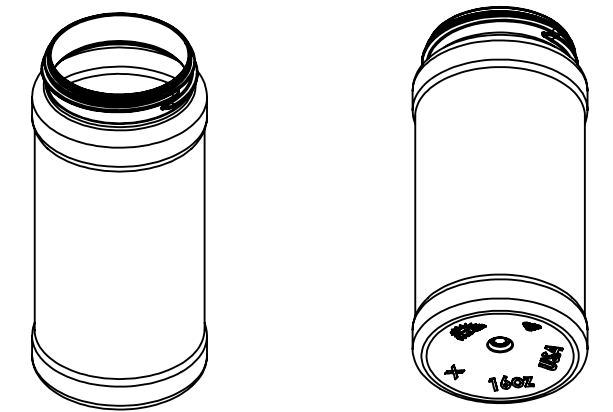


REV	DATE	DESCRIPTION
0	11/12/2025	DRAWING CREATED
1	04/06/2026	REV ADDED LABEL DIMS



SECTION A-A



PROPRIETARY AND CONFIDENTIAL
 THE INFORMATION CONTAINED IN THIS DRAWING IS THE SOLE PROPERTY OF PHARMACY-LITE. ANY REPRODUCTION IN PART OR AS A WHOLE WITHOUT THE WRITTEN PERMISSION OF PHARMACY-LITE IS PROHIBITED.

UNLESS OTHERWISE SPECIFIED:		NAME		DATE		PAC-LITE	
DIMENSIONS ARE IN INCHES		DRAWN	BC	11/12/25		250 Warden Ave., Elyria, OH 44035	
TOLERANCES:		CHECKED				844-527-5483	
FRACTIONAL: $\pm 1/32$		ENG APPR.				TITLE:	
ANGULAR: MACH $\pm 0.1^\circ$		MFG APPR.				SPICE JAR - 16oz ROUND	
BEND $\pm 2.5^\circ$		Q.A.				SIZE DWG. NO.	
TWO PLACE DECIMAL ± 0.015		COMMENTS:		CUSTOMER DRAWING		CSJ-16/P000CD	
THREE PLACE DECIMAL ± 0.005						REV	
INTERPRET GEOMETRIC TOLERANCING PER:						1	
MATERIAL						SCALE: 1:1 WEIGHT:	
POLYPROPYLENE						SHEET 1 OF 1	
FINISH							
NEXT ASSY	USED ON						
APPLICATION							
DO NOT SCALE DRAWING							